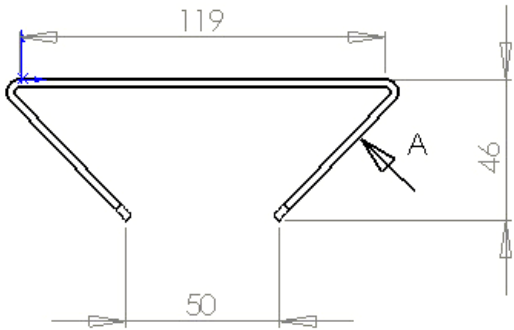
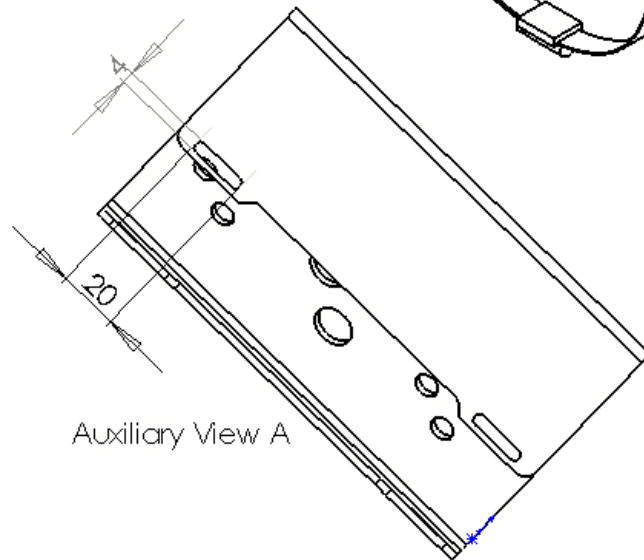
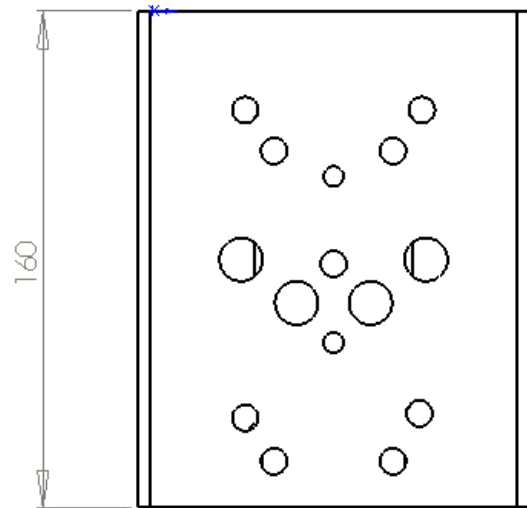
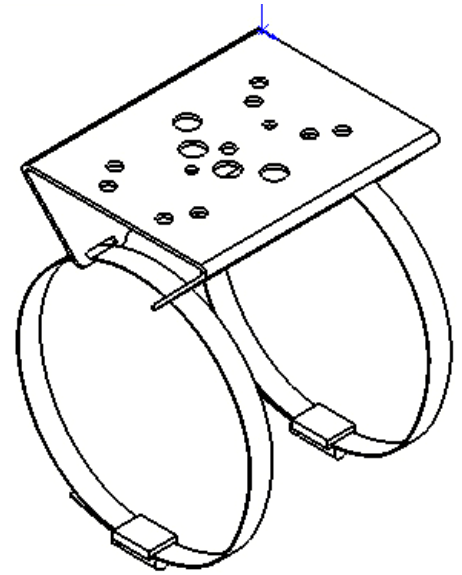


### PBC-1

Designed to mount Rayled illuminators to circular poles/columns.  
To fit poles approx minimum 50mm up to 170mm pole (other pole diameters available on request). Provides flat mounting platform for 1 Rayled illuminator.



Minimum Pole  
Size ~45mm  
Diameter



Hole pattern to fit Rayled Products  
plus cable exits.